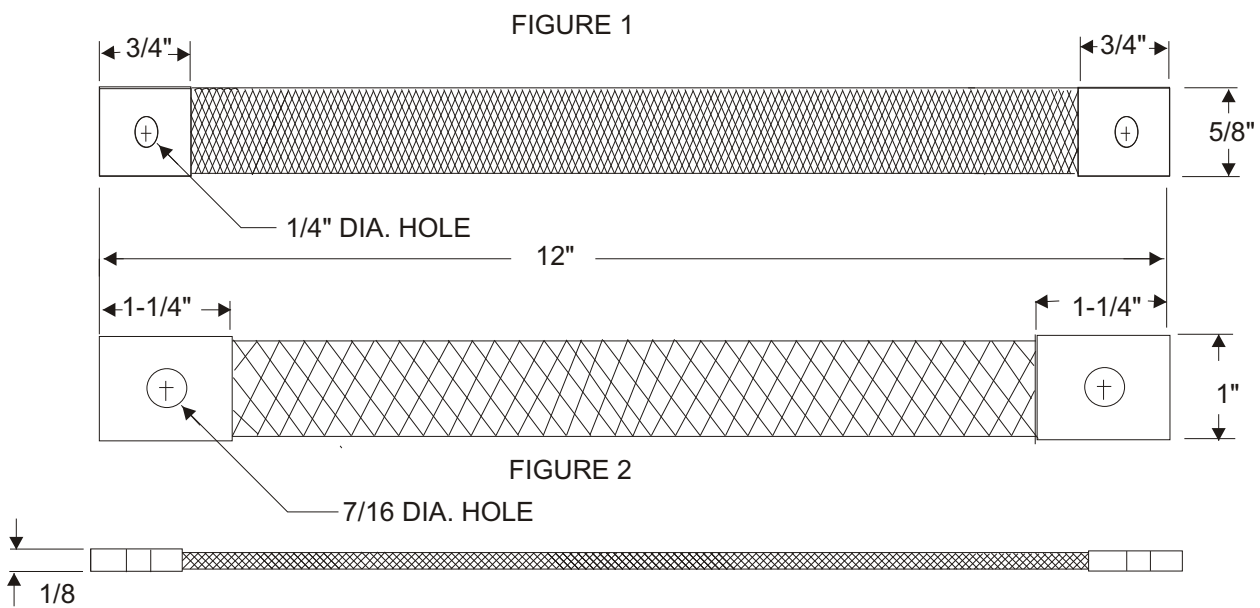
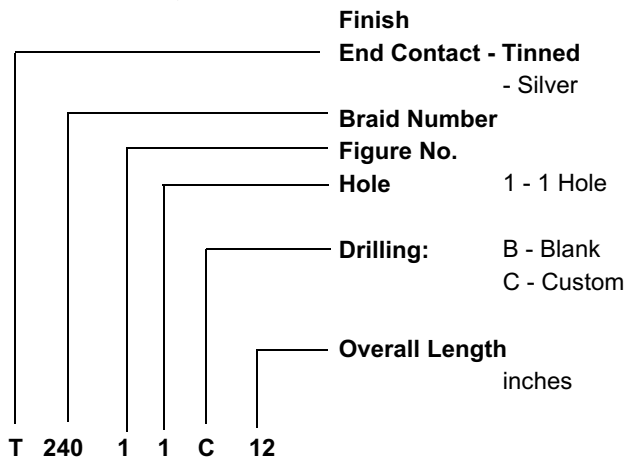


## TIN PLATED COPPER FLEXIBLE BRAIDS

Catalogue Number	Figure	Approx. Ampere Rating (Indoors)*	Total Circular Mils. Of Braids	Approximate Dimensions			
				T in.	1 Hole W in.	2 Hole W in.	4 Hole W in.
T240/11C12	1	95	24,000	1/8	5/8	N/A	N/A
T244/21C12	2	145	48,000	1/8	1	N/A	N/A



**Please order by part number:**



**Standard Specifications:**

- |                |   |
|----------------|---|
| Nominal Length | 12"   |
| End Contacts:  | Electro-Plated Tin Copper   |
| Braid:         | Tinned Copper Flat Braid  |
| Options:       | <ul style="list-style-type: none"> <li>- Silver plated end connectors</li> <li>- Custom drilling pattern (drawing must be supplied)</li> <li>- PE Insulation (Heat Shrink)</li> </ul> |